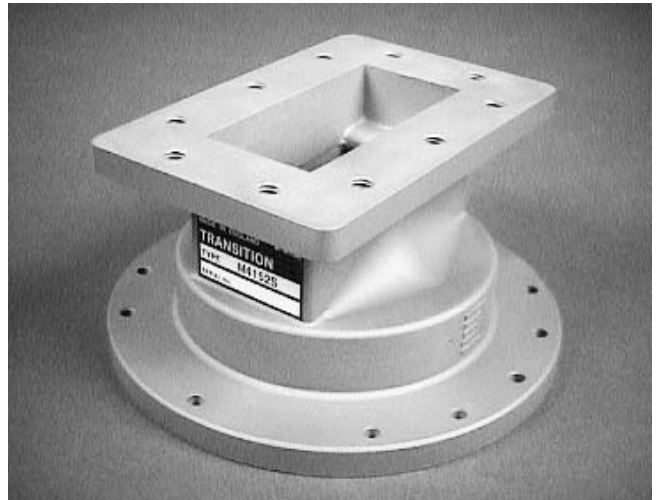


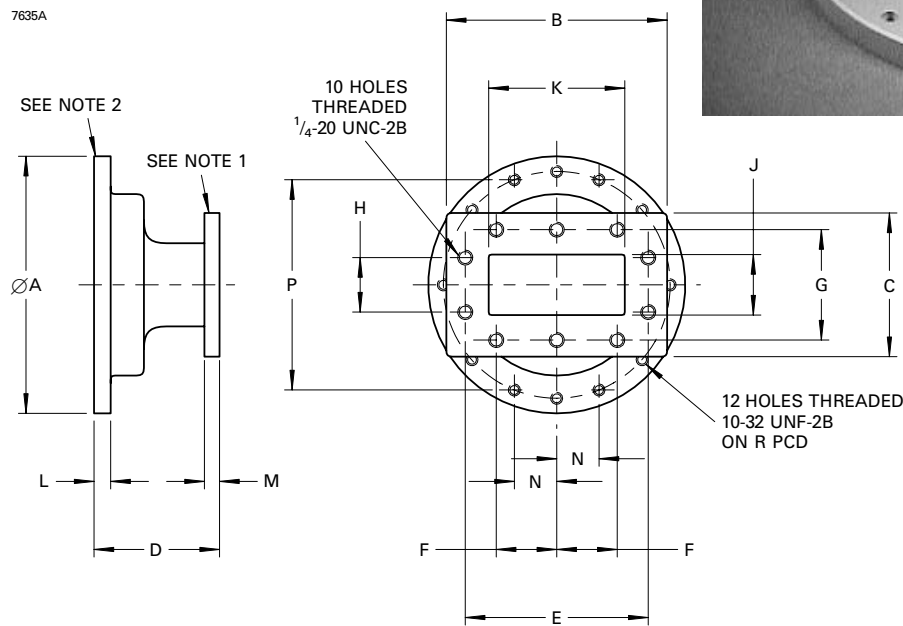
Round to rectangular waveguide transition to adapt the outputs of EEV linac magnetrons of less than 3.2 MW peak output power into waveguide no. 10 (WR284).

Net weight 1.4 kg (3.1 pounds) approx
Material brass



OUTLINE (All dimensions nominal)

7635A



Ref	Millimetres	Inches
A	133.35	5.250
B	114.3	4.500
C	76.2	3.000
D	67.13	2.643
E	97.22	3.828
F	32.54	1.281
G	59.14	2.328
H	29.36	1.156
J	34.04	1.340
K	72.14	2.840
L	9.53	0.375
M	7.95	0.313
N	23.09	0.909
P	111.46	4.388
R	120.65	4.750

Inch dimensions have been derived from millimetres.

NOTES

1. This flange is similar to CPR 284F and UDR 32 Style 3, and can be used with Parker Seal 5906-284.
2. This flange mates with the output flange of the magnetron using eight bolts 10-32 UNF x ⁵/₈" and an O-ring 101 mm (3.975 inches) internal diameter and 5.33 mm (0.210 inch) diameter section (BS/USA Uniform Ref. No. 345) of Nitrile synthetic rubber. This O-ring is supplied.
3. At a maximum pressure of 3.16 kg/cm² (45 lb/in²) gauge, the maximum leakage will be such that with an enclosed volume of 1 litre, the pressure will not drop by more than 0.70 kg/cm² (10 lb/in²) in 7 days.
4. The H plane of the rectangular waveguide must be at right angles to the direction of the magnetron magnetic field.

Whilst e2v technologies has taken care to ensure the accuracy of the information contained herein it accepts no responsibility for the consequences of any use thereof and also reserves the right to change the specification of goods without notice. e2v technologies accepts no liability beyond that set out in its standard conditions of sale in respect of infringement of third party patents arising from the use of tubes or other devices in accordance with information contained herein.

e2v technologies limited, Waterhouse Lane, Chelmsford, Essex CM1 2QU England Telephone: +44 (0)1245 493493 Facsimile: +44 (0)1245 492492
e-mail: enquiries@e2vtechnologies.com Internet: www.e2vtechnologies.com Holding Company: e2v holdings limited

e2v technologies inc. 4 Westchester Plaza, PO Box 1482, Elmsford, NY10523-1482 USA Telephone: (914) 592-6050 Facsimile: (914) 592-5148
e-mail: enquiries@e2vtechnologies.us